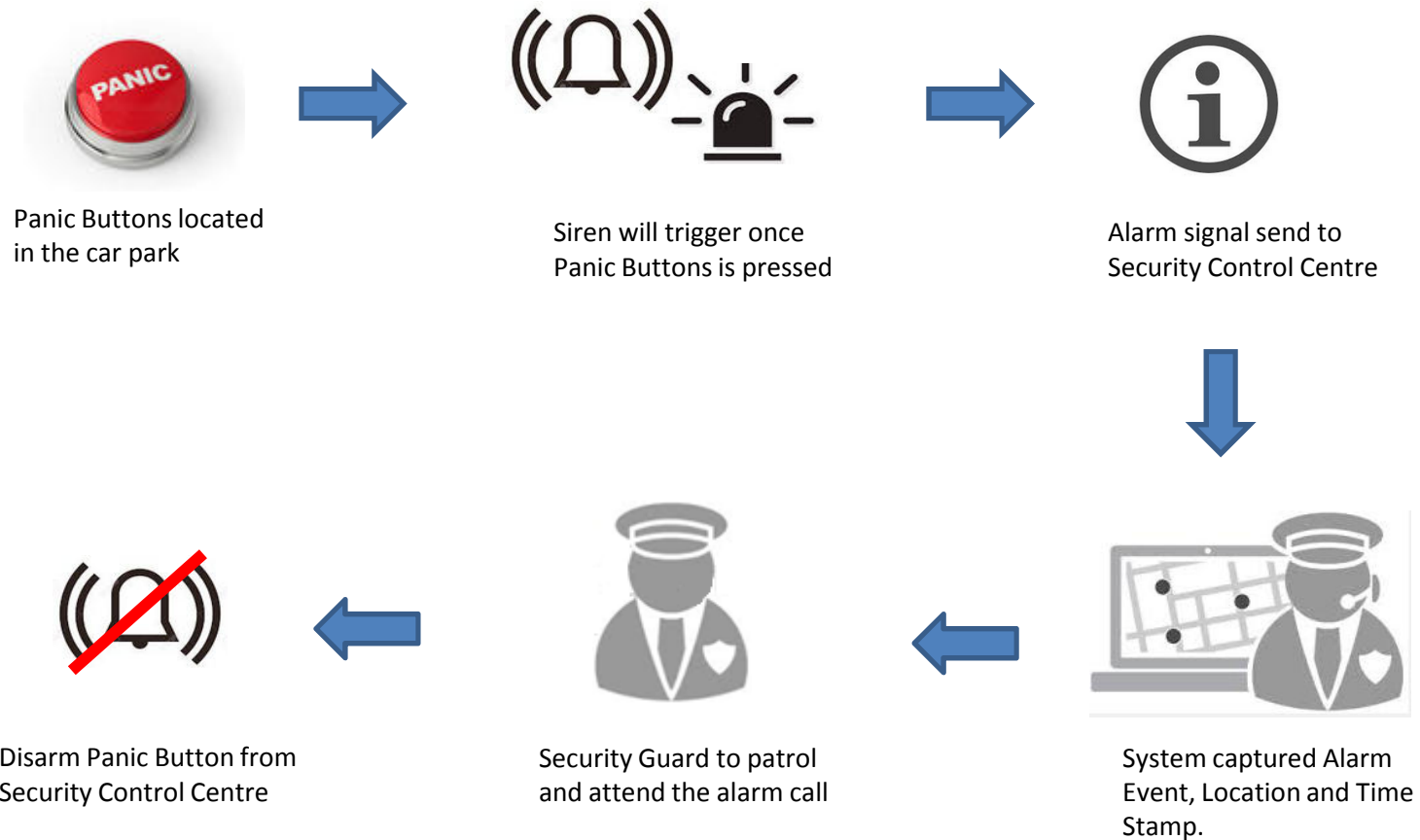


Panic Button System

System Flow

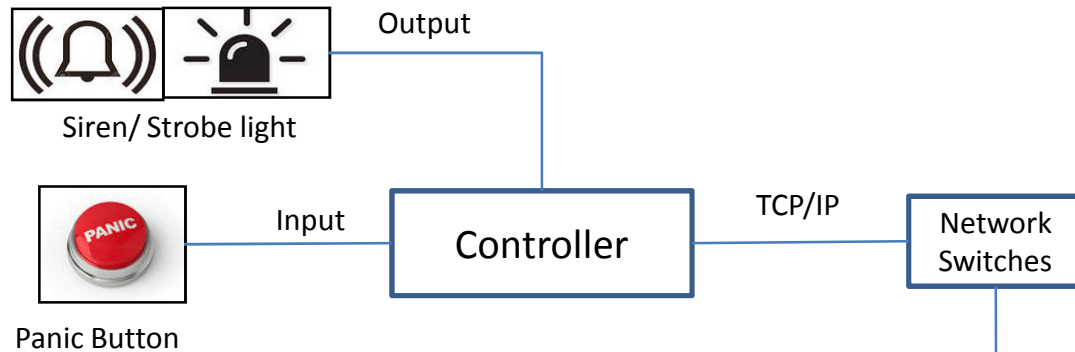


Features

- Stationary Panic Buttons are installed strategically around car park area.
- When Panic Button is pressed, alarm event will automatically dispatch to Security Control Centre.
- Alarm event, Location, Time Stamp will be captured real time.
- Panic Button integrated with Siren, Strobe light for instant onsite alert.
- Support Visual Map monitoring.
- Support Multi floor installation.

System Connectivity Design

CAR PARK LEVEL 2



CAR PARK LEVEL 1

